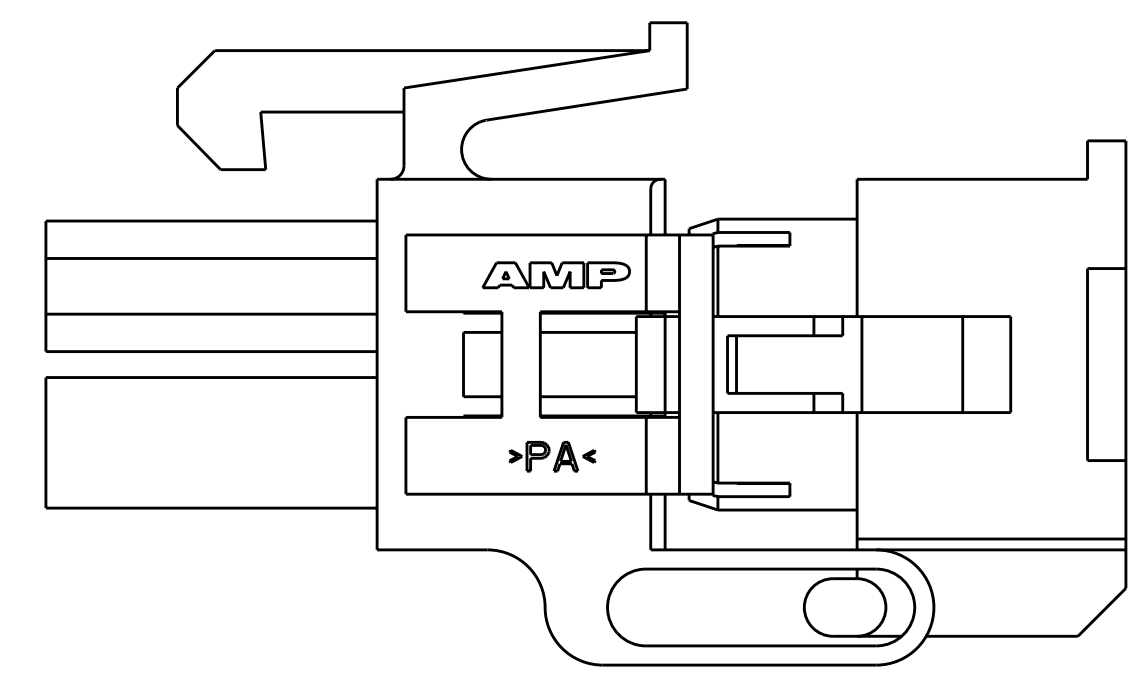
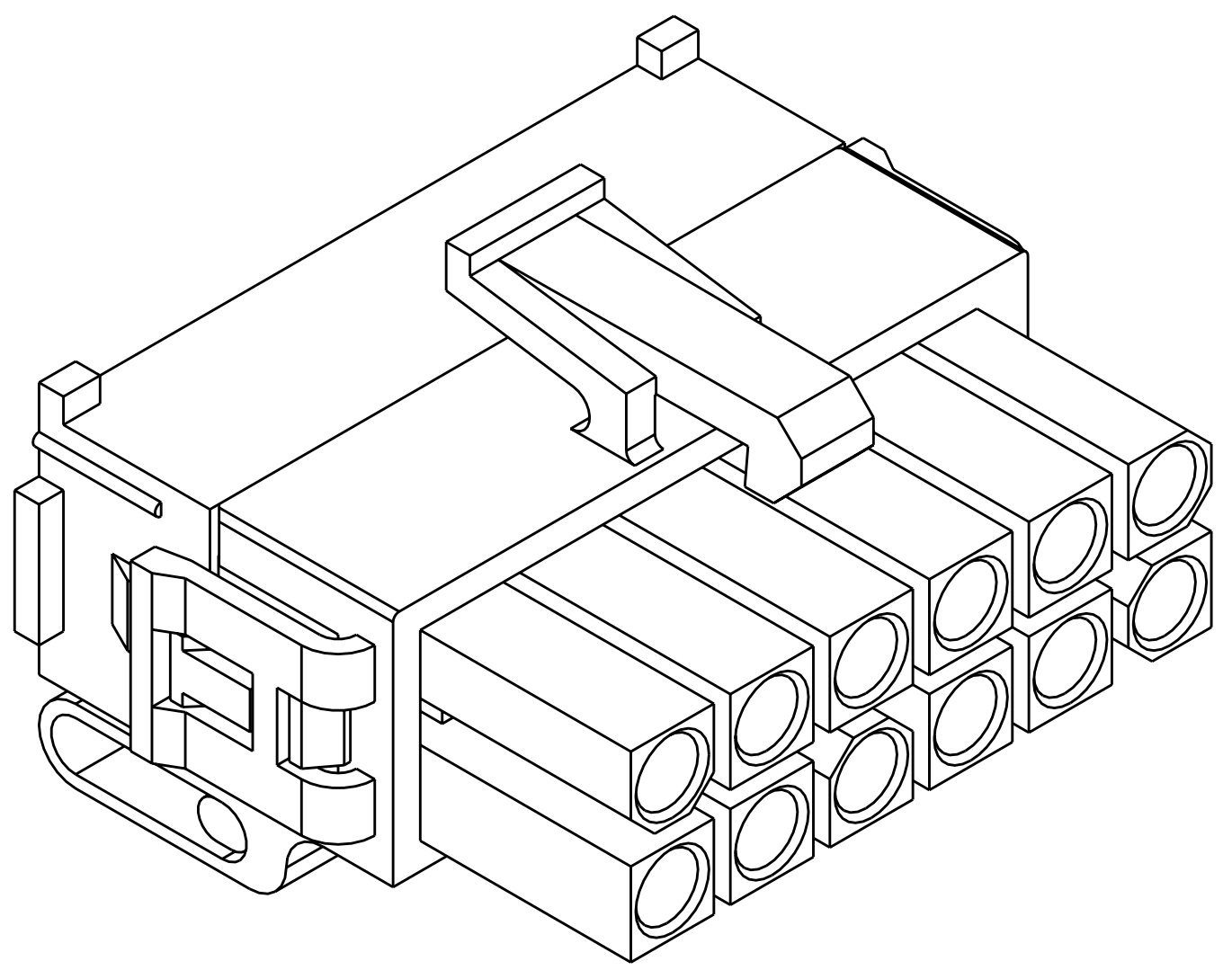
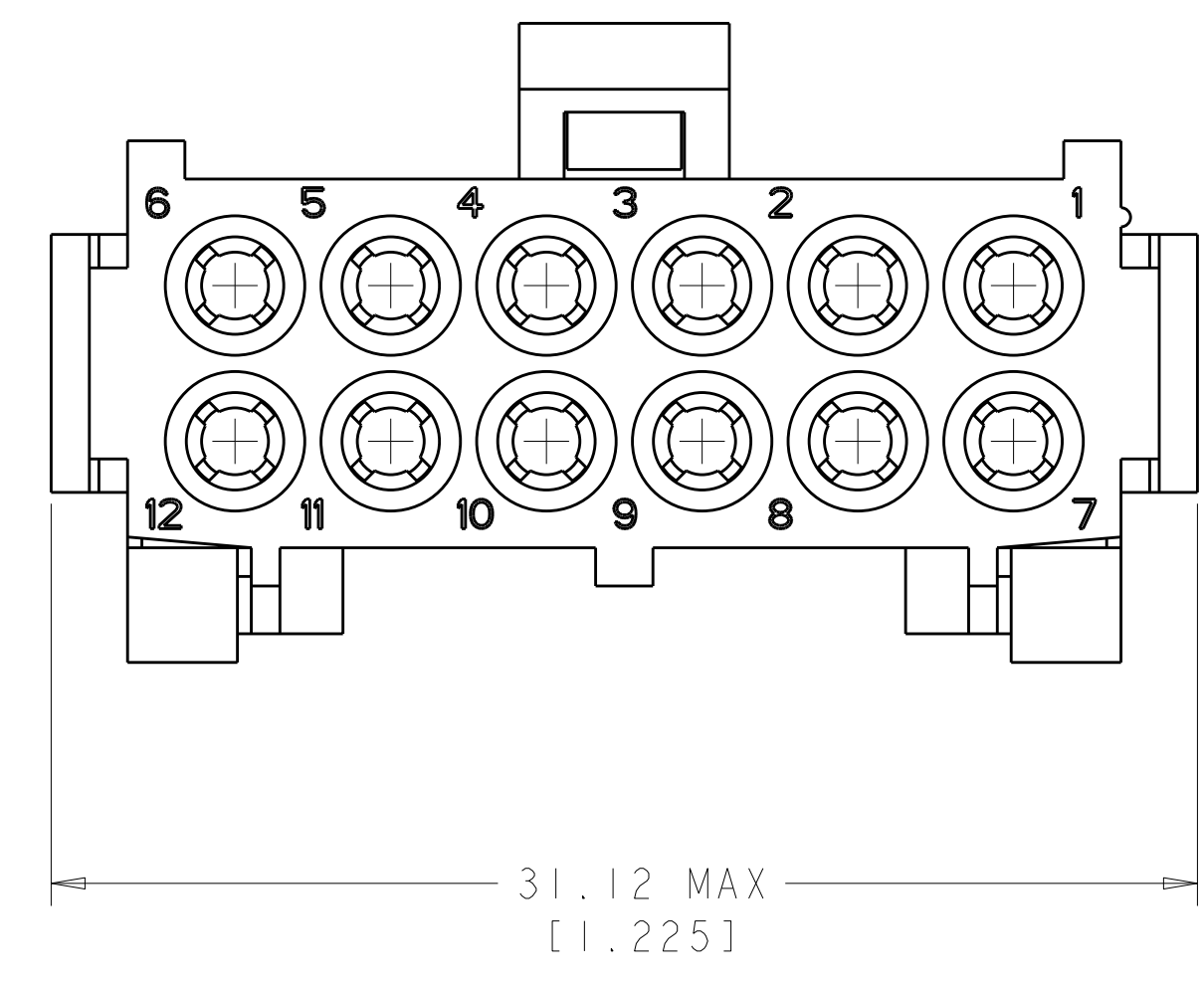
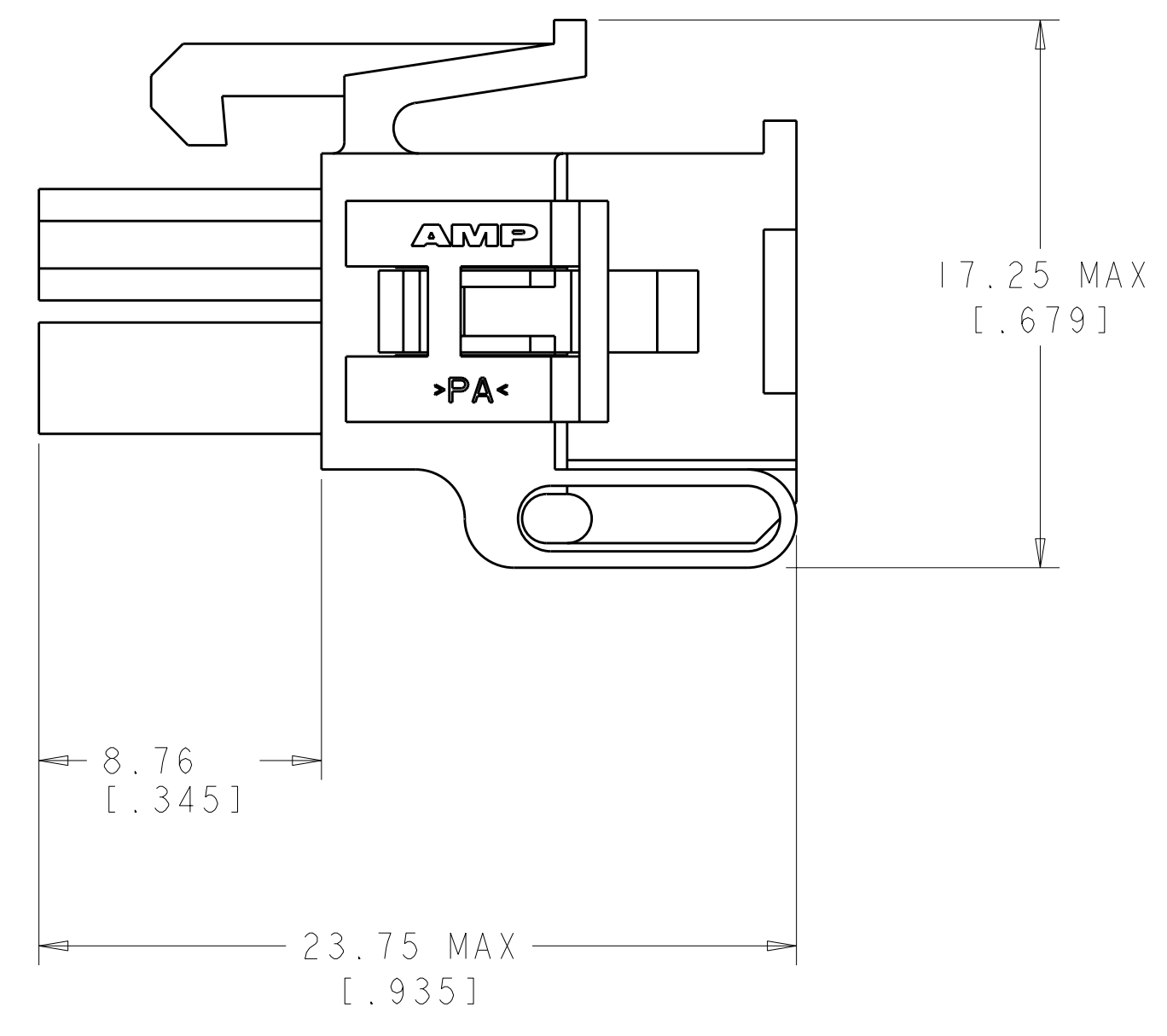
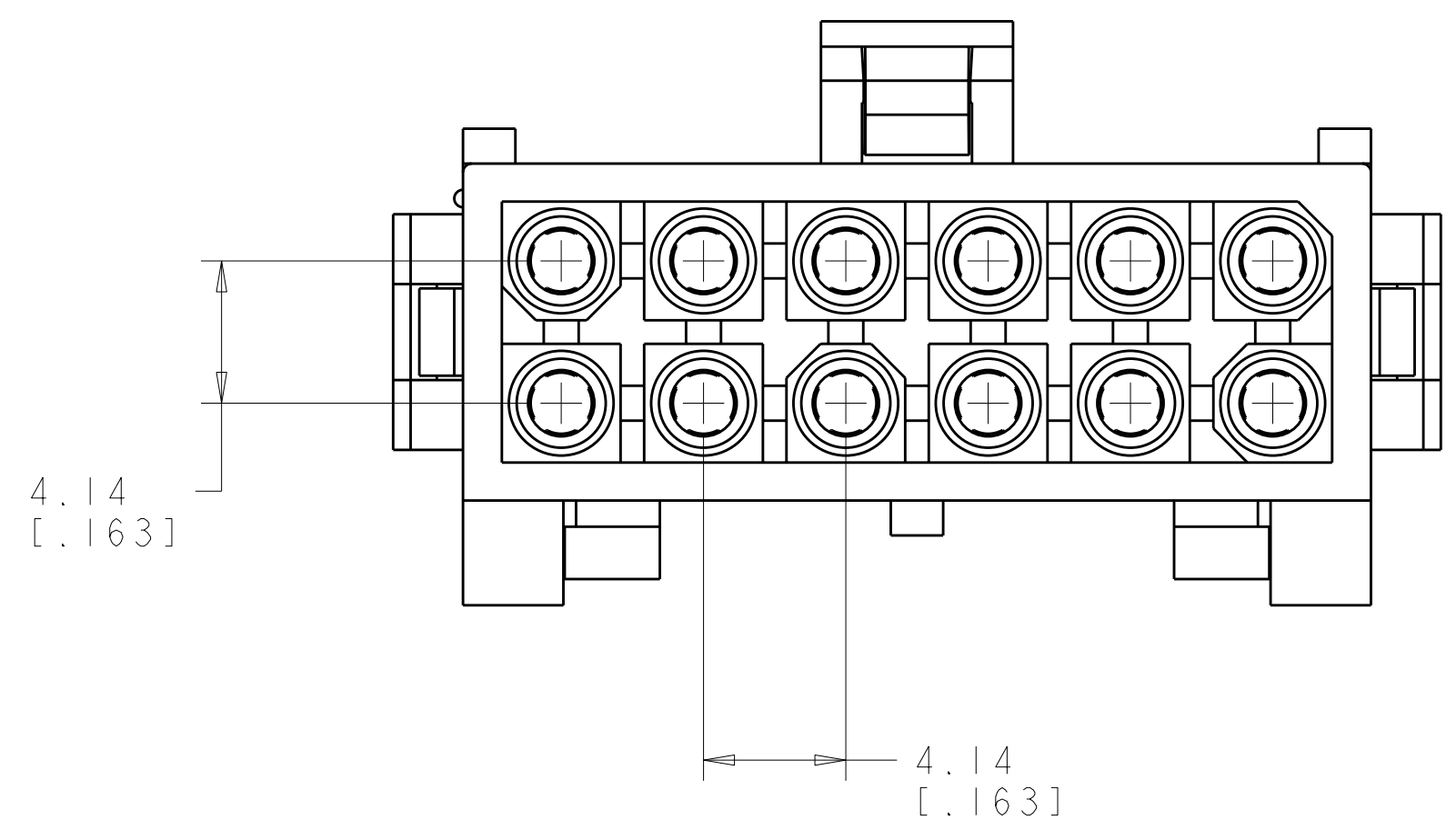


LOC	DIST	REV	DATE	BY	APP'D
CM	00	B1	ECO-07-016419	01AUG2007	KW C.J.



PRE-STAGED CONDITION



0.21 IN ³	794198-1
VOLUME	PART NUMBER

DIMENSIONS: mm [INCHES] TOLERANCES UNLESS OTHERWISE SPECIFIED: 0 PLC ± 1 PLC ± 2 PLC ±0.13 (1.005) 3 PLC ± 4 PLC ± ANGLES ±40° 30'		DWN: R. WHITAKER 01AUG2007 CHK: C. JONES 01AUG2007 APVD: C. JONES 01AUG2007		Tyco Electronics Harrisburg, PA 17105-3608	
MATERIAL: NYLON UL 94V-0, NATURAL		FINISH: -		NAME: PLUG, DUAL ROW, 12 CIRCUIT, MINI UNIVERSAL MATE-N-LOK(TM) 2 SIZE: CAGE CODE DRAWING NO: A100779C-794198 WEIGHT: - CUSTOMER DRAWING	
SCALE: 5:1			SHEET: 1 OF 1		REV: B1

